

Installation Guide

For HyPanel



Welcome!

This guide applies to PS51-R2-EU , PS51V2-R2-EU model of HyPanel.

Contents

Before We Start	2
In the Box	3
Check Compatibility	4
Wiring	7
Installation	11
Get Help	16

Before We Start

Your first time installing this product may take up to 40 minutes.

You'll get faster after each installation.



Warning!

The installation procedure involves handling high voltage wiring. Please be careful. To avoid serious personal injury, death, or property damage, turn OFF the power to the circuit and follow all safety precautions before proceeding.

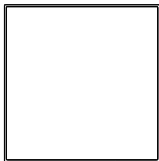
Working with electricity can be dangerous. If you are unsure about, or uncomfortable with the installation, seek the help of a qualified electrician.



Warning!

Keep the device and all its parts out of the reach of children. The small parts or accessories contained may be a choking hazard to them.

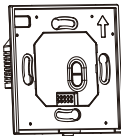
In The Box



HyPanel **X 1**



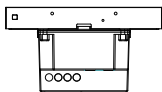
M3x20mm Phillips Self Tapping
Screw **x2**



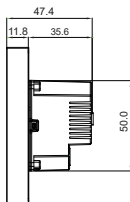
Flush Mounted Module **x 1**

Check Compatibility

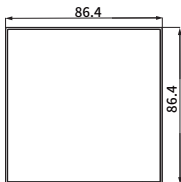
Product specifications



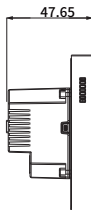
⑤ BOTTOM VIEW



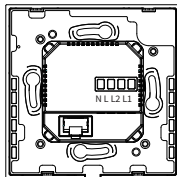
RIGHT VIEW



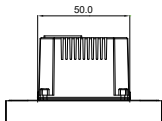
① FRONT VIEW



③ LEFT VIEW



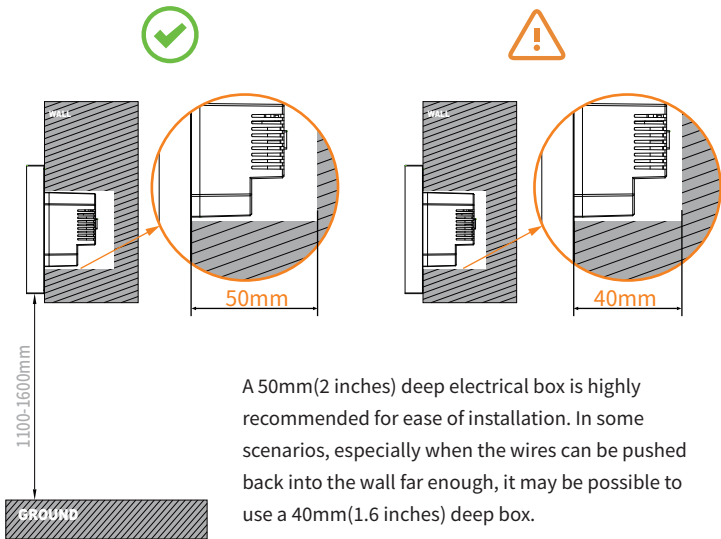
④ BACK VIEW



⑥ TOP VIEW

Working space

Make sure HyPanel is compatible with the location where you want to install it.



Maximum load

- ◆ The total load of the device(s) connected to flush mounted module must be less than 1200W(Max load).
- ◆ The wattage of a resistive load appliance, e.g., an incandescent bulb, must be less than 800W.
- ◆ The wattage of a LED lamp or compact fluorescent lamp(CFL) must be less than 400W.
- ◆ You must check the load compatibility before connecting other types of devices that are not mentioned above.

180-260VAC/50 Hz power required

If you are in the 110V country or region, you have to use an isolation transformer to step up 110V voltage to 180V - 260V before it can be used for HyPanel.

Neutral wire required for installation

A neutral wire is required for the device to function properly.

Support Wi-Fi and Ethernet connections

HyPanel can operate with both wireless and wired networks, but we highly recommend using wired networks if you want to remotely control the device via the BelaHome app or perform updates.

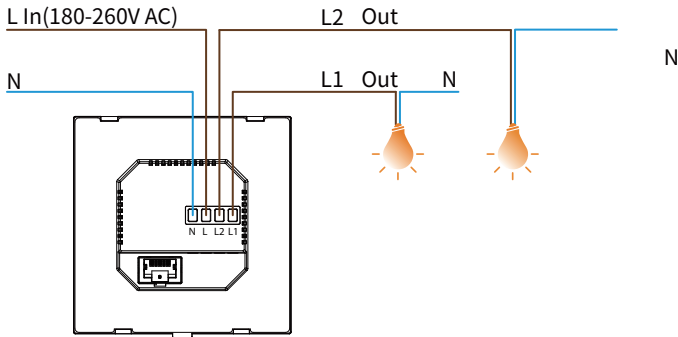
Wiring



Warning!

Turn OFF the circuit breaker before wiring and proceeding!
Always use a voltage detector to verify the power is OFF
before wiring and installation!

Identify wires



- ♦ A Neutral wire(N) typically comes from the wall.
- ♦ The Line wire(L) provides 180-260 Volts of power to the HyPanel.
- ♦ L1 and L2 are Load wires that connect the HyPanel to the light bulbs or other devices, e.g., fans or curtain motors.

Connect wires

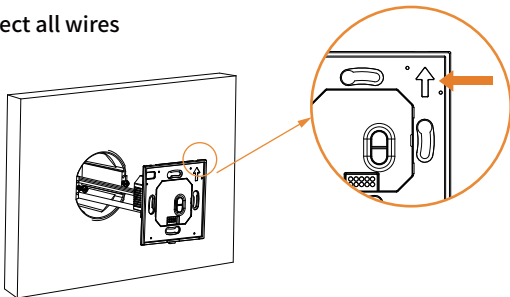
1 Strip and straighten wires



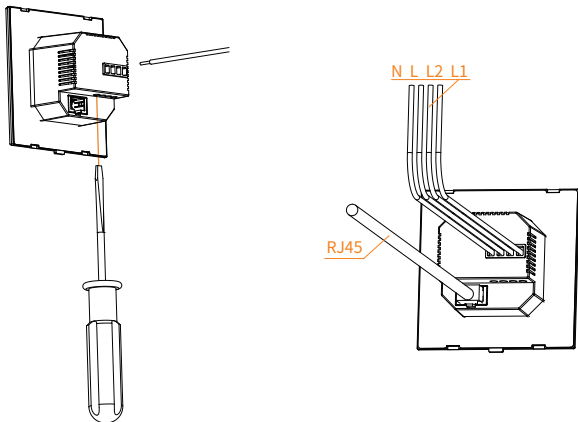
Wires connected to HyPanel should be $1.5\text{mm}^2 \sim 2.5\text{mm}^2$ in size and have stripped and straight ends.

Remove the plastic sheathing of the wire, and make sure the exposed wire ends measure approximately 8mm (5/16 inch) in length.

2 Connect all wires

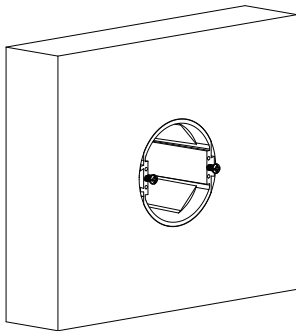


Always make sure the arrow on the front of the flush mounted module is pointing up.



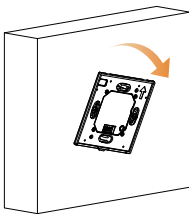
- ◆ Plug the wires to the corresponding ports on the back of the flush mounted module.
- ◆ Tighten the screws clockwise with a flat-head screwdriver until wires are secure.
- ◆ Double check by gently tugging on each wire.
- ◆ Plug the RJ45 network cable to the Ethernet port if you need to use the wired network.

Installation

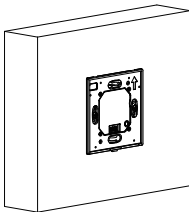


- ◆ Change the torque on the electric screwdriver to 5kgf.cm.
- ◆ Turn screws clockwise with the screwdriver.
- ◆ Do not fully tighten the screws. The screw head must protrude at least 3 mm (1/8 inch) from the wall surface.

1 Install flush mounted module

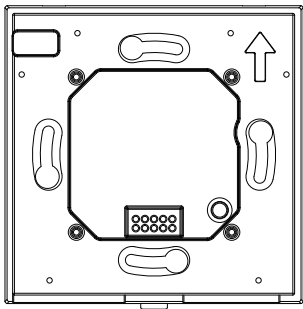


Attach the flush mounted module to the electrical box. The screws should go through the holes on the module.



- ◆ Adjust the module to be level and ensure it is flush against the wall.
- ◆ Tighten the screws to attach the module to the wall, taking care not to over-tightened them.

2 Test connected devices



- Turn on the circuit breaker to provide power to the flush mounted module.
- Press the button on the module to check if the connected devices can work.

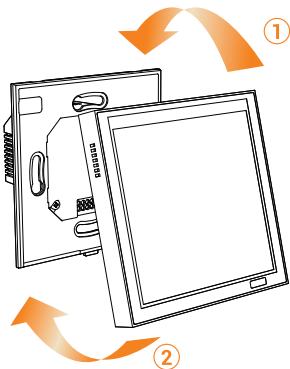
If the devices do not turn on/off, do NOT install the panel. Turn the power off and re-check the wire connections.

3 Install panel

Warning



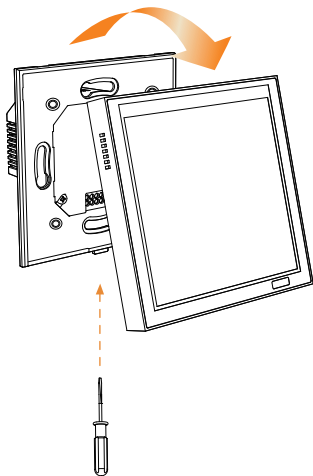
Turn OFF the circuit breaker before you install the panel.



Position the panel at a tilt as the picture shows.

Press the panel into the flush mounted module until it clicks.

If you need to remove the panel



- Insert a flat-head screwdriver with about 6mm width into the slot at the bottom edge.
- Gently pry the panel up.

Congratulations!

You are done with the HyPanel installation!
Start your smart home journey with Akubela now!

Get Help

For help or more assistance,
contact us at: <https://ticket.akuvox.com/>

For videos, guides, and additional product formation,
visit us at: <https://knowledge.akuvox.com>

